

CITY OF DARIEN

Memorandum

TO: City Council
FROM: Daniel Gombac, Director of Municipal Services
DATE: June 19, 2023
RE: Agenda Item F and G-Supplemental Information for Item G:

ISSUE STATEMENT

F. Approval of a resolution, Change Order No 1, for the purchase and delivery of new Unilock Hollandstone Pavers from Illinois Landscape Supply, LLC, for the Clock Tower Project in an amount not to exceed \$11,108 (net city expense of \$608 after \$10,500 in credit/donations)

AND

G. Approval of a resolution, Change Order No 2, for the purchase and installation of a low voltage, lighting system from Terrain Landscaping, Inc, for the Clock Tower Project in an amount not to exceed \$12,000

The attached information is in reference to Item G above.

As indicated per the agenda memo, attached is the supplemental information consisting of a proposal, design and cut sheets for the Clock Tower Lighting submitted by Terrain Landscaping and designed with Cascade Lighting.

Unfortunately, the lighting and installation costs are \$4,081.33 more than was estimated by Staff in the amount of \$12,000. The total costs for the Clocktower Lighting scheme are revised to an amount of \$16,091.33.

While Staff did not anticipate an additional cost increase, the increase is due to labor of the installation that consist of the following;

1. All connections are required to be soldered to prevent long term deterioration due to moisture
2. The modular block components and paver require saw cutting to insert the lighting into the components.

Staff recommends approval of the lighting proposal as the wiring infrastructure and paver cutting would be more expensive if completed at a later date.

Terrain

LANDSCAPE CONTRACTORS

City of Darien
Re: Clock tower lighting project

6/17/2023

Dan, as you are aware we have met with Scott our Cascade light representative who, has been out to the clock tower & has emailed us a rendering of the of the Clock Tower. I have broken this down for you in 2 parts & have negotiated with all parties to give you the best possible price. The part 1 lighting system will be a 12-color system which you will be able to control on an app installed on your phone, part 2 will be installed around the perimeter of the walk & beneath the existing trees. Please find the details below. Respectfully submitted Tim Ascolani.

Clock Tower only: Install, wire & solder 50 low voltage color changing lights, bring wires back to new 900-watt transformer, this is included in the price along w/ phone app. (Please see diagram for full details) \$ 9,016.21

Path & new up lights: Removal of old path & under mount tree lights, installation of 28 path lights that will be cut into the brick border around the fountain. Install 22 up lights under the existing trees, these lights are not color changing & will be wired in conjunction w/ the clock tower lights. \$ 7,065.12

Thank You Tim !

9,016.21 +
7,065.12 +
02
16,081.33 *

Path/uplights



Cascade Lighting, Inc.
3395 Miller Park Rd #1
Akron OH 44312
United States
Phone: (800) 758-6359

Quote

#EST365

6/15/2023

TOTAL

Bill To
Terrain Landscape Contractors
95 Windflower Ct
Romeoville IL 60446
United States

\$4,065.20

Expires: 7/15/2023

Expires
7/15/2023

Exp. Close
6/15/2023

Sales Rep
Scott Romacker

Partner

Quantity	Item	Options	Rate	Amount
30	LUM M4B1-3.5W-30K-40-A Brass Micro Module Lumien Brass Micro Module, 3.5 Watts, 325 Lumens, 10-15V, 40° Beam Spread, 3000K, Antique Finish	Wattage: 3.5 Kelvin/Color: 3000 Beam Spread: 40	\$35.04	\$1,051.20
30	LUM LAB-100 Brass Micro Recessed Circular 360 Degree Top Lumien Micro Light, Recessed, Circular, 360° Accessory		\$25.36	\$760.80
20	LUM D6B1-10W-30K-A Modular Brass 10W Spot Light Lumien Brass Spot Light, Modular Light Source, 10W, 600 Lumens, 3000K, Includes: (3) Beam Spread Lens (15, 38, 60 Degrees)	Wattage: 10 Kelvin/Color: 3000	\$112.66	\$2,253.20

Subtotal \$4,065.20

Tax Total (%) \$0.00

Total \$4,065.20



EST365

Clock Tower



Cascade Lighting, Inc.
3395 Miller Park Rd #1
Akron OH 44312
United States
Phone: (800) 758-6359

Quote

#EST363

6/14/2023

TOTAL

\$5,516.21

Expires: 7/14/2023

Bill To
Terrain Landscape Contractors
95 Windflower Ct
Romeoville IL 60446
United States

Expires	Exp. Close	Sales Rep	Partner	Shipping Method
7/14/2023	6/14/2023	Scott Romacker		

Quantity	Item	Options	Rate	Amount
27	LUM M8B1-3W-30K-40-A PRO Brass Micro Module (RGBW) Brass Micro Module, LumienPRO (RGBW), 3 Watts, 10-15V, 40° Beam Spread, 3000K, Antique Finish	Wattage: 3 Kelvin/Color: 3000 Beam Spread: 40	\$53.38	\$1,441.26
10	LUM Z9B1-10W-A PRO Brass Macro Module (RGBWW) LumienPRO Brass Macro Module (RGBWW)		\$104.09	\$1,040.90
6	LUM LAB-158 Brass Macro Adjustable PVC Well Light Lumien Brass Macro Adjustable PVC Well Light		\$113.57	\$681.42
4	LUM LAB-134 Brass Macro Recessed Square Top Lumien Brass Macro Recessed Square Top		\$42.70	\$170.80
20	LUM LAB-022 Brass Micro Recessed Square Half-Moon Top Lumien Micro Light, Recessed, Square, Half-Moon Accessory		\$29.91	\$598.20
3	LUM M4B5-5.5W-30K-R Micro Underwater Light-Short Solid Shroud Lumien Full Assembly w/ 5.5 Watt Micro Light Source, Underwater Short Solid Shroud - Raw Finish, 346 Lumens, 3000K	Kelvin/Color: 3000	\$110.72	\$332.16
4	LUM M4B6-5.5W-30K-R Micro Underwater Light-30 Degree Uplight Shroud Lumien Full Assembly w/ 5.5 Watt Micro Light Source, Underwater 30 Degree Uplight Shroud - Raw Finish, 254 Lumens, 3000K	Kelvin/Color: 3000	\$110.72	\$442.88
1	LUM LP-REMOTE LumienPRO Remote		\$46.71	\$46.71
1	LIG 900w Transformer Light Tech 900w Transformer		\$290.40	\$290.40
2	REG 12/2 LV Wire 500ft 12/2 LV Wire		\$235.74	\$471.48



EST363



Cascade Lighting, Inc.
3395 Miller Park Rd #1
Akron OH 44312
United States
Phone: (800) 758-6359

Quote

#EST363

6/14/2023

Subtotal \$5,516.21

Tax Total (%) \$0.00

Total \$5,516.21

****THIS QUOTE IS VALID FOR 30 DAYS.****



EST363

June 14, 2023

Clock Tower

Darien, IL Plainfield Rd & S. Cass Ave

Product Overview

All products proposed for this project are manufactured by Lumien Lighting. All Lumien LED modules have a 10 year warranty and the housings have a lifetime warranty.



Yellow Arrows

The yellow arrows represent ground well lights, model LAB-158 using a color changing module Z9B1 10 watt. These lights will be up lighting the three columns of the tower.

Red Arrows

The red arrows represent ground well lights, model LAB-134 trim tops and using a color changing module Z9B1 10 watt. These lights will be on all four corners of the fountain lighting the interior of the tower.

Blue Arrows

The blue arrows represent small ground well lights that will illuminate the bottom wall all around the tower. The well light model number is LAB-022 using a M8B1 color changing module.

Clock Tower Fountain

Product Overview

All products proposed for this project are manufactured by Lumien Lighting. All Lumien LED modules have a 10 year warranty and the housings have a lifetime warranty.



Green Arrows

The green arrows represent the water lights for the fountain. Three of the water lights will be placed on the top of the three towers shining up through the water. Those are the M4B5 water lights with the M8B1 module. Then four M4B6 water lights will be placed in the inside corners of the fountain shining towards the outsides of the towers.

Controller

The Lumien LP-Remote will allow for you to choose between 12 preset colors. You will be able to dim the lights down and up and turn them on and off with the push of a button. The Lumien lights will operate off the existing 900 watt transformer.



PRODUCTS

RESOURCES

ABOUT

CONTACT

WHERE TO BUY

0

BACK TO SEARCH RESULTS



Quick Connect System M8B1-3W-30K-40-A

Brass Micro Module, LumienPRO (RGBW),
3 Watts, 158 Lumens, 10-15V, 40° Beam
Spread, 3000K, Antique Finish

- IP68 Rating - **10 Years Warranty**
- Wattage **3**
- Lumens **158**
- Temperature **3000K**
- Finish **Antique**
- Construction **Brass**

ADD TO PROJECT

M8B1-3W-30K-40-A

OVERVIEW

Fixture is LumienPRO RGBW | Defined CCT | 12 Color Presets

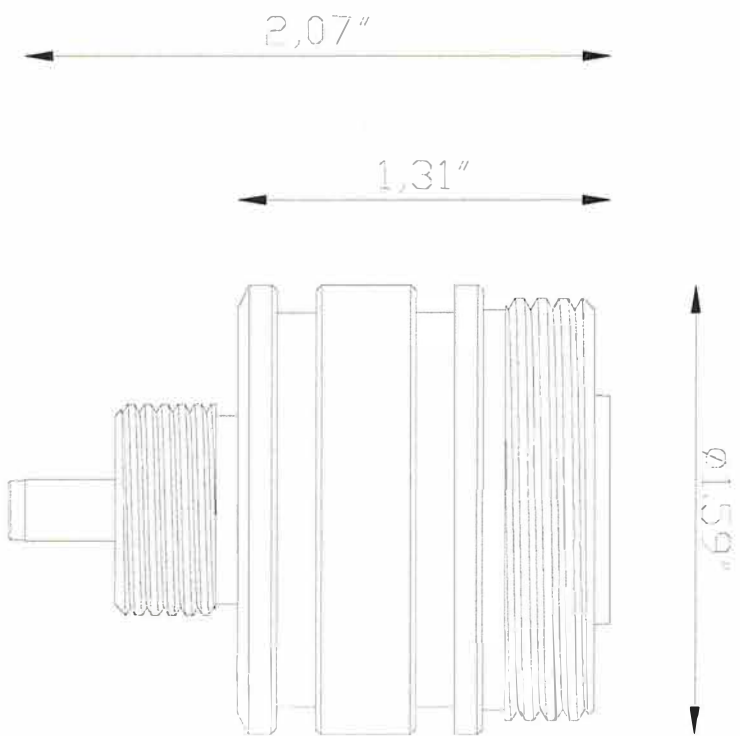
Available in multiple kelvin temperatures: 2700K & 3000K

Available in a 40° beam spread

IP68 Rated

10 Year Warranty

- IP68 Rating **10 Years Warranty**
- Wattage **3**
- Lumens **158**
- Temperature **3000K**
- Finish **Antique**
- Construction **Brass**
- Lead Wire **6'**
- Voltage **10-15V**
- Beam Spread **40°**
- Volt-Amperes **4.3**
- RGB **Yes**
- CRI **80+**



Quick Connect System LAB-022

Micro Light, Recessed, Square, Half-Moon Accessory

Lifetime Warranty

Finish **Antique**

Construction **Brass**



Requires a Micro Module *(one of the following)*

ADD TO PROJECT

OVERVIEW

DOWNLOADS

LAB-022

OVERVIEW

Easily Assembled

Micro modules are IP68 making micro fixtures fully-submergible

Lifetime Warranty on Brass Housing

This fixture utilizes a Quick Connect Micro Module (ordered separately)

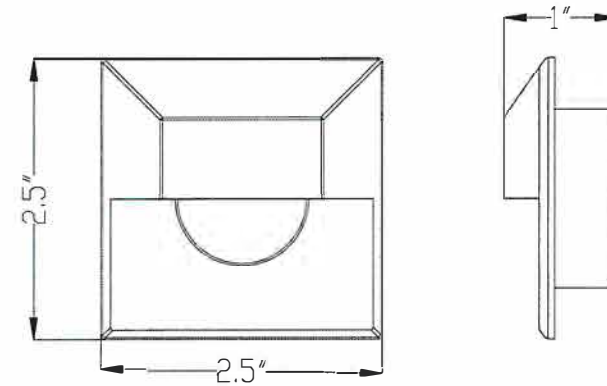
Lifetime Warranty

Finish **Antique**

Construction **Brass**

Box Quantity **50**

Fixture Weight **0.45**





PRODUCTS

RESOURCES

ABOUT

CONTACT

WHERE TO BUY

0

BACK TO SEARCH RESULTS



Quick Connect System
LAB-158

Macro, Adjustable Well Light with PVC Tube

Lifetime Warranty

Finish **Antique**

Construction **Brass**

ADD TO PROJECT

OVERVIEW

DOWNLOADS



PRODUCTS

RESOURCES

ABOUT

CONTACT

WHERE TO BUY

0

BACK TO SEARCH RESULTS



Quick Connect System LAB-134

Macro Light, Recessed, Square, Flush
Accessory

Lifetime Warranty

Finish **Antique**

Construction **Brass**

Requires a Macro Module *(one of the following)*

ADD TO PROJECT

OVERVIEW

DOWNLOADS



LAB-134

OVERVIEW

Easily Assembled

Macro modules are IP68 making macro fixtures fully-submersible

Lifetime Warranty on Brass Housing

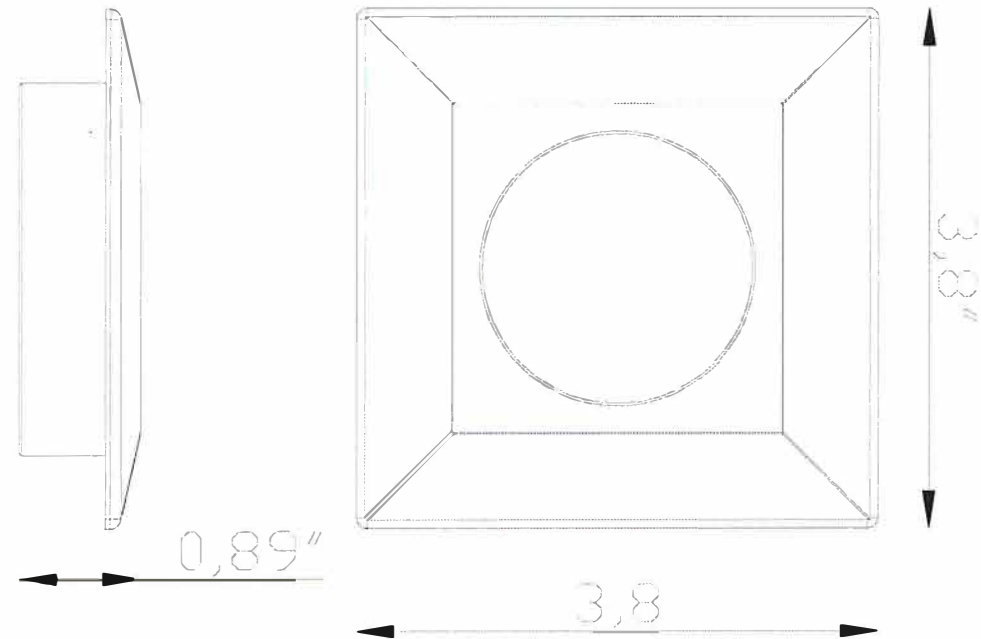
This fixture utilizes a Quick Connect Macro Module (ordered separately)

Lifetime Warranty

Finish **Antique**

Construction **Brass**

Beam Spread **35°**





PRODUCTS

RESOURCES

ABOUT

CONTACT

WHERE TO BUY

0

BACK TO SEARCH RESULTS



M4B5-5.5W-30K-R

Full Assembly w/ 5.5 Watt Micro Light Source, Underwater Short Solid Shroud - Raw Finish, 346 Lumens, 3000K

IP68 Rating *Light Source: 10 Years*
Housing: Lifetime Warranty

Wattage **5.5**
Lumens **346**
Temperature **3000K**
Finish **Antique**
Construction **Brass**

ADD TO PROJECT

M4B5-5.5W-30K-R

OVERVIEW

Lead wire is 30ft to provide plenty of length to run outside of the water

Available in multiple kelvin temperatures: 2700K & 3000K

IP68 Rated

Lifetime Warranty on Brass Housing

10 Year Warranty on Light Source

This fixture utilizes our Quick Connect Micro Module

IP68 Rating **Light Source: 10 Years**
 Housing: Lifetime Warranty

Wattage **5.5**

Lumens **346**

Temperature **3000K**

Finish **Antique**

Construction **Brass**

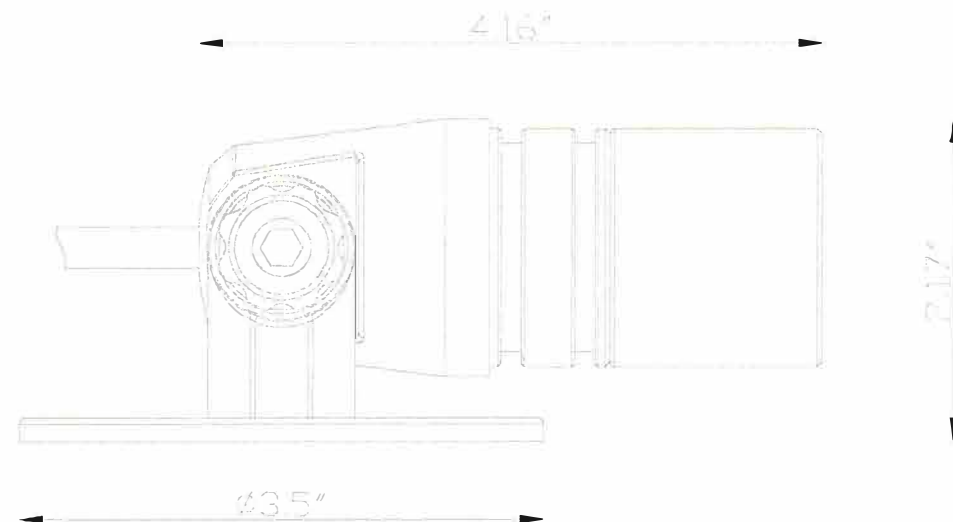
Lead Wire **30'**

Voltage **10-15V**

Volt-Amperes **8.11**

RGB **No**

CRI **80+**





PRODUCTS

RESOURCES

ABOUT

CONTACT

WHERE TO BUY

0

BACK TO SEARCH RESULTS



M4B6-5.5W-30K-R

Full Assembly w/ 5.5 Watt Micro Light Source, Underwater 30 Degree Uplight Shroud - Raw Finish, 254 Lumens, 3000K

IP68 Rating *Light Source: 10 Years*
Housing: Lifetime Warranty

Wattage **5.5**

Lumens **254**

Temperature **3000K**

Finish **Antique**

Construction **Brass**

ADD TO PROJECT

M4B6-5.5W-30K-R

OVERVIEW

Lead wire is 30ft to provide plenty of length to run outside of the water

Available in multiple kelvin temperatures: 2700K & 3000K

IP68 Rated

Lifetime Warranty on Brass Housing

10 Year Warranty on Light Source

This fixture utilizes our Quick Connect Micro Module

IP68 Rating **Light Source: 10 Years**
 Housing: Lifetime Warranty

Wattage **5.5**

Lumens **254**

Temperature **3000K**

Finish **Antique**

Construction **Brass**

Lead Wire **30'**

Voltage **10-15V**

Volt-Amperes **8.11**

RGB **No**

CRI **80+**

